

Conduit Box Kit No. 5370-101-045 for use with Washdown Enclosed Unimodules

P-1410
819-0356

Installation Instructions

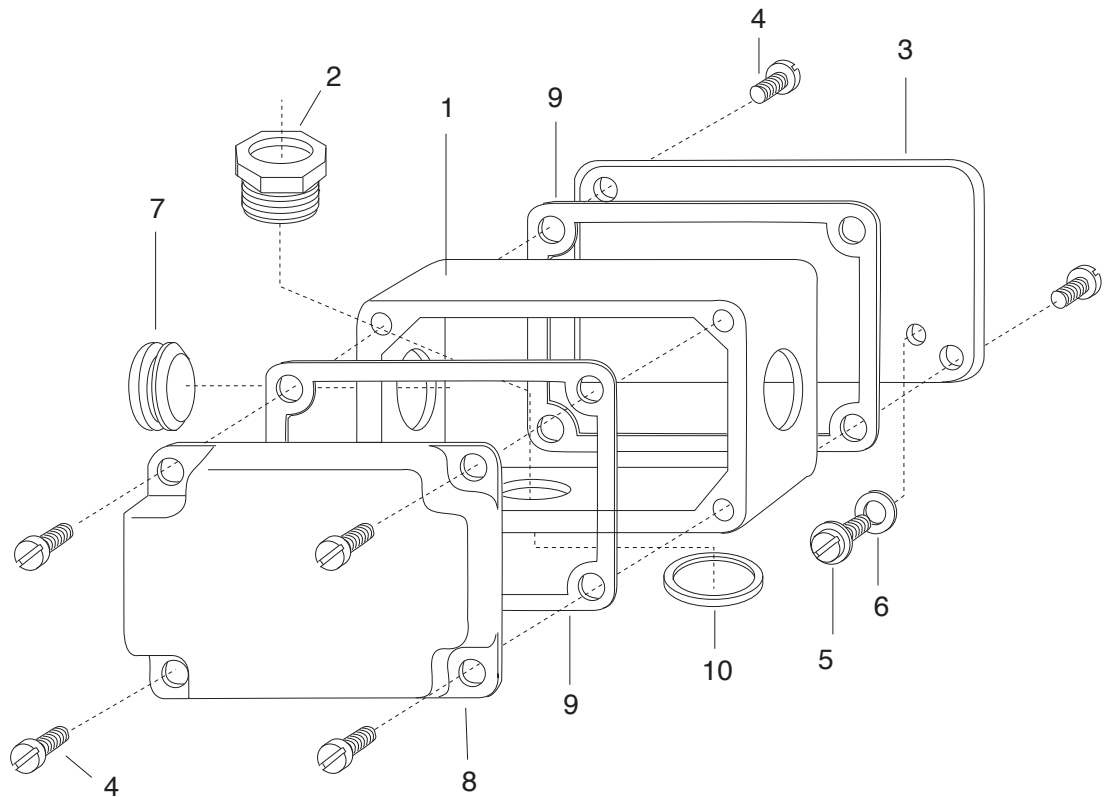


 **Warner**[®]
Electric

An Altra Industrial Motion Company

TEKMATIC

Distribuidor exclusivo para la República Argentina
T. 011 4222 5040 - F. 011 4201 2478
www.tekmatic.com.ar - info@tekmatic.com.ar



Introduction

This Warner Electric conduit box is designed to provide a proper enclosure for wiring terminations for Enclosed Unimodule Clutch/Brakes designed for washdown service. It conforms to the requirements of Underwriters Laboratories under UL508, Industrial Control Equipment. Please follow these instructions when installing this product; failure to do so will void the warranty.

⚠ WARNING Failure to follow these instructions may result in product damage, equipment damage, and serious or fatal injury to personnel.

Parts List for Kit 5370-101-045

Item	Quantity	Part Name
1	1	Conduit Box
2	1	Conduit Box Fitting
3	1	Cover Plate
4	6	Pan Head Tapping Screw
5	1	Hex. Washer Head Screw
6	1	Ring Terminal
7	2	Protective Ring
8	1	Cover (Plastic)
9	2	Gasket
10	1	Rubber Washer

Note: All screws are self tapping.

Assembly to Electro Module

Step 1 (See Figure 1)

Feed clutch/brake lead wires through rubber washer (10) and bottom hole in conduit box (1) and conduit box fitting (2).

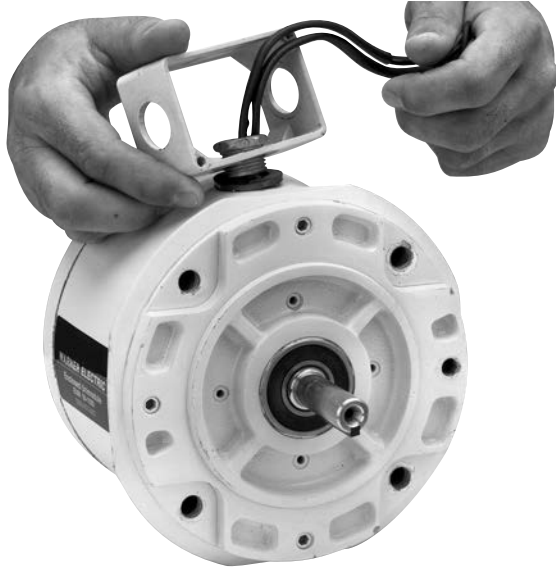


Figure 1

Step 2 (See Figure 2)

Insert conduit box fitting (2) through bottom hole of conduit box and thread into tapped hole of module housing. Tighten securely to hold box in place and assure a liquid tight seal. Hold wires tight to prevent their twisting.

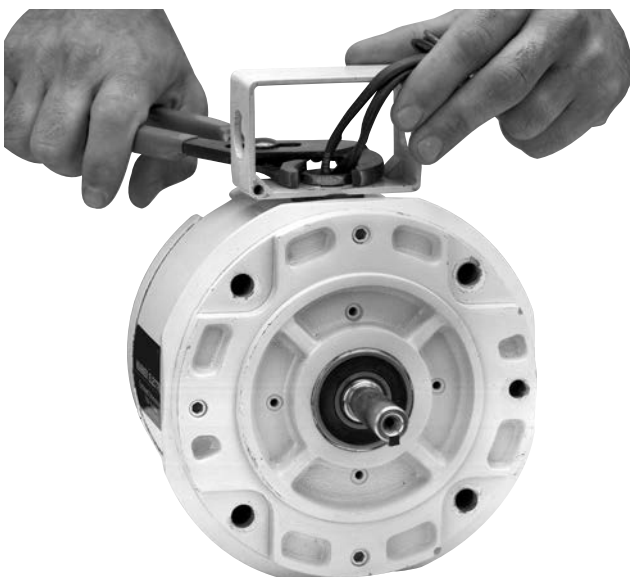


Figure 2

Step 3 (See Figure 3)

Assemble 1/2" flexible conduit fitting equipped with a rubber gasket or O ring liquid tight seal into desired end of conduit box. Tighten to assure liquid tight seal, but avoid using excess force which could damage mounting and/or rupture O ring or gasket. Install liquid tight protective plug (7) into conduit box hole which is not used, assuring outer sealing surface is flush against housing and inner portion is pulled completely through.

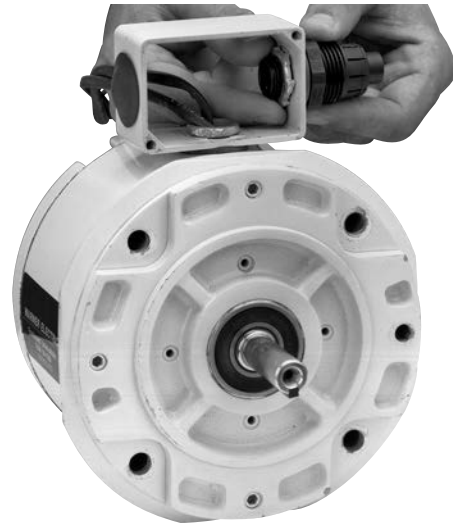


Figure 3

Step 4 (See Figure 4)

Connect liquid sealed electric supply cable or flexible conduit to the liquid tight fitting installed in the conduit box. **Rigid conduit must not be connected directly to the box as clutch/brake damage may result.** A minimum of 12 inches of flexible cable or conduit is recommended.



Figure 4

Step 5 (See Figure 5)

Insert two self tapping screws (4) through holes in back cover (3) and install on housing with gasket (9) between cover and housing. A high quality gasket sealant such as Kopper Kote may be applied to both sides of gasket prior to installation to help assure liquid tight seal.



Figure 5

Step 6 Electrical Connections:

A. (See Figure 6) If external control is used, make wire connections with wire nuts or appropriate means in compliance with local electrical codes. Use green self tapping screws (5) and wire washer (6) to ground green wire to conduit box back cover. A suitable grade of loctite may be applied to the ground screw thread to assist liquid tight sealing.

Important: Provide only DC power to the clutch/brake. AC voltage will not allow unit to function properly and damage may result.



Figure 6

B. (See Figure 7) If CBC-150 series control (not furnished) is used, cut clutch/brake lead wires off to meet local codes and make connections per CBC-150 installation instructions. Use green self tapping screw (5) and wire washer (6) to ground green wire to conduit box back cover. A suitable grade of loctite may be applied to the ground screw thread to assist liquid sealing. Mount control to box with four self tapping screws (4), metalling gasket (9) between conduit box housing and cover. A high quality sealant such as Kopper Kote may be applied to both sides of the gasket to help assure a liquid tight seal. This completes installation. Step 7 does not apply.



Figure 7

Step 7

Install black plastic cover by inserting four retaining screws through gasket provided and into housing. A high quality sealant such as Kopper Kote may be applied to both sides of the basket to help assure a liquid tight seal.

This completes installation.

Warranty

Warner Electric LLC warrants that it will repair or replace (whichever it deems advisable) any product manufactured and sold by it which proves to be defective in material or workmanship within a period of one (1) year from the date of original purchase for consumer, commercial or industrial use.

This warranty extends only to the original purchaser and is not transferable or assignable without Warner Electric LLC's prior consent.

Warranty service can be obtained in the U.S.A. by returning any defective product, transportation charges prepaid, to the appropriate Warner Electric LLC factory. Additional warranty information may be obtained by writing the Customer Satisfaction Department, Warner Electric LLC, 449 Gardner Street, South Beloit, Illinois 61080, or by calling 815-389-3771.

A purchase receipt or other proof of original purchase will be required before warranty service is rendered. If found defective under the terms of this warranty, repair or replacement will be made, without charge, together with a refund for transportation costs. If found not to be defective, you will be notified and, with your consent, the item will be repaired or replaced and returned to you at your expense.

This warranty covers normal use and does not cover damage or defect which results from alteration, accident, neglect, or improper installation, operation, or maintenance.

Some states do not allow limitation on how long an implied warranty lasts, so the above limitation may not apply to you.

Warner Electric LLC's obligation under this warranty is limited to the repair or replacement of the defective product and in no event shall Warner Electric LLC be liable for consequential, indirect, or incidental damages of any kind incurred by reason of the manufacture, sale or use of any defective product. Warner Electric LLC neither assumes nor authorizes any other person to give any other warranty or to assume any other obligation or liability on its behalf.

WITH RESPECT TO CONSUMER USE OF THE PRODUCT, ANY IMPLIED WARRANTIES WHICH THE CONSUMER MAY HAVE ARE LIMITED IN DURATION TO ONE YEAR FROM THE DATE OF ORIGINAL CONSUMER PURCHASE. WITH RESPECT TO COMMERCIAL AND INDUSTRIAL USES OF THE PRODUCT, THE FOREGOING WARRANTY IS IN LIEU OF AND EXCLUDES ALL OTHER WARRANTIES, WHETHER EXPRESSED OR IMPLIED BY OPERATION OF LAW OR OTHERWISE, INCLUDING, BUT NOT LIMITED TO, ANY IMPLIED WARRANTIES OF MERCHANTABILITY OR FITNESS.

Some states do not allow the exclusion or limitation of incidental or consequential damages, so the above limitation or exclusion may not apply to you. This warranty gives you specific legal rights and you may also have other rights which vary from state to state.

Changes in Dimensions and Specifications

All dimensions and specifications shown in Warner Electric catalogs are subject to change without notice. Weights do not include weight of boxing for shipment. Certified prints will be furnished without charge on request to Warner Electric.



P-1410 • 819-0356 8/11

Warner Electric
31 Industrial Park Road • New Hartford, CT 06057
815-389-3771 • Fax: 815-389-2582
www.warnerelectric.com



Distribuidor exclusivo para la República Argentina
T. 011 4222 5040 - F. 011 4201 2478
www.tekmatic.com.ar - info@tekmatic.com.ar

Printed in USA