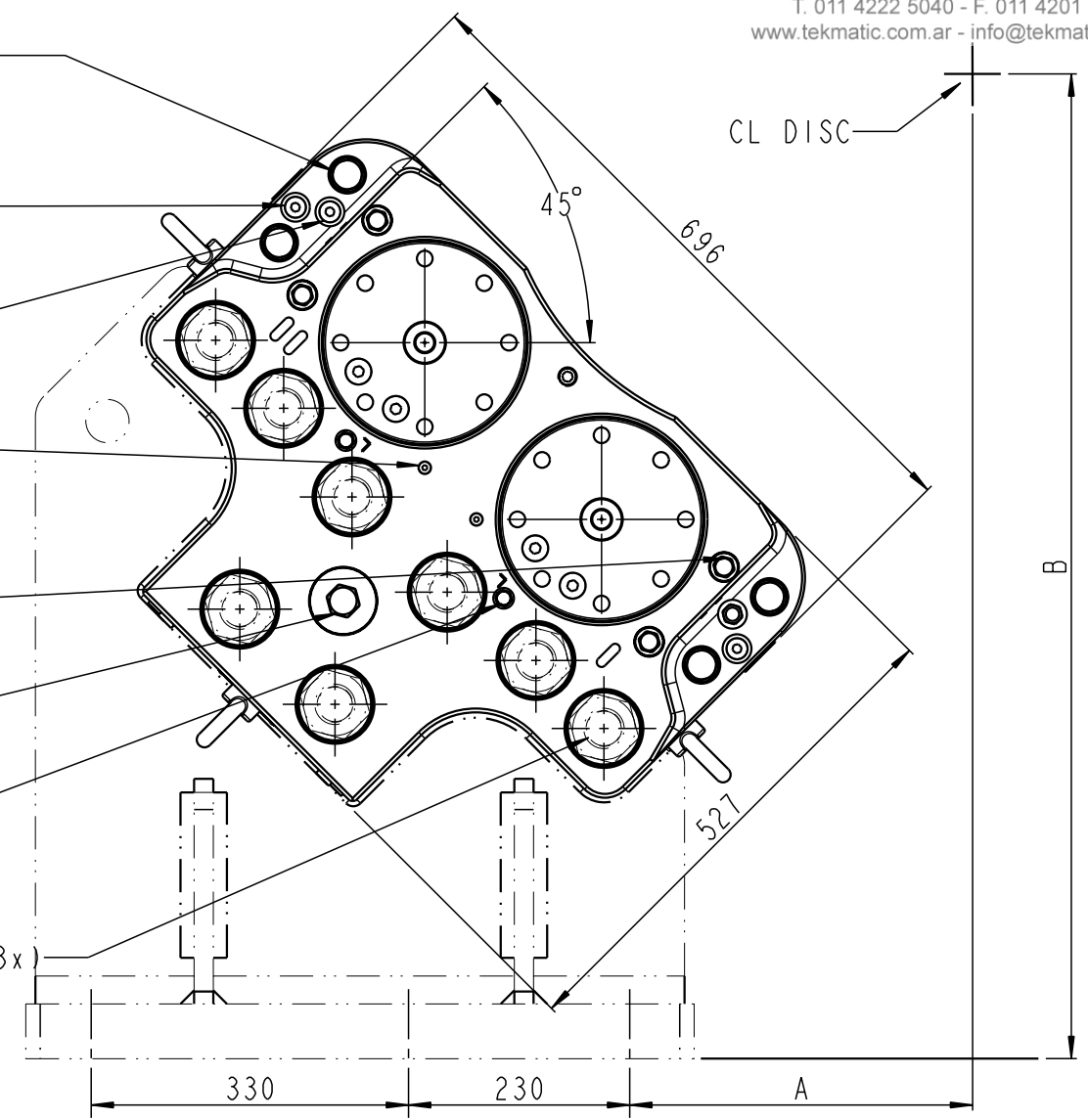


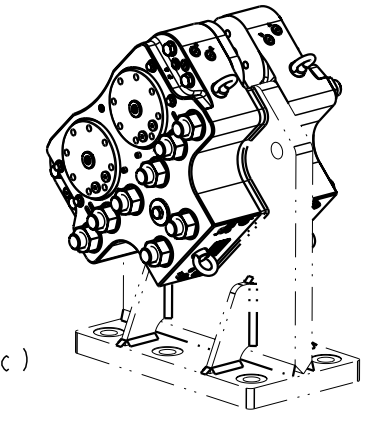
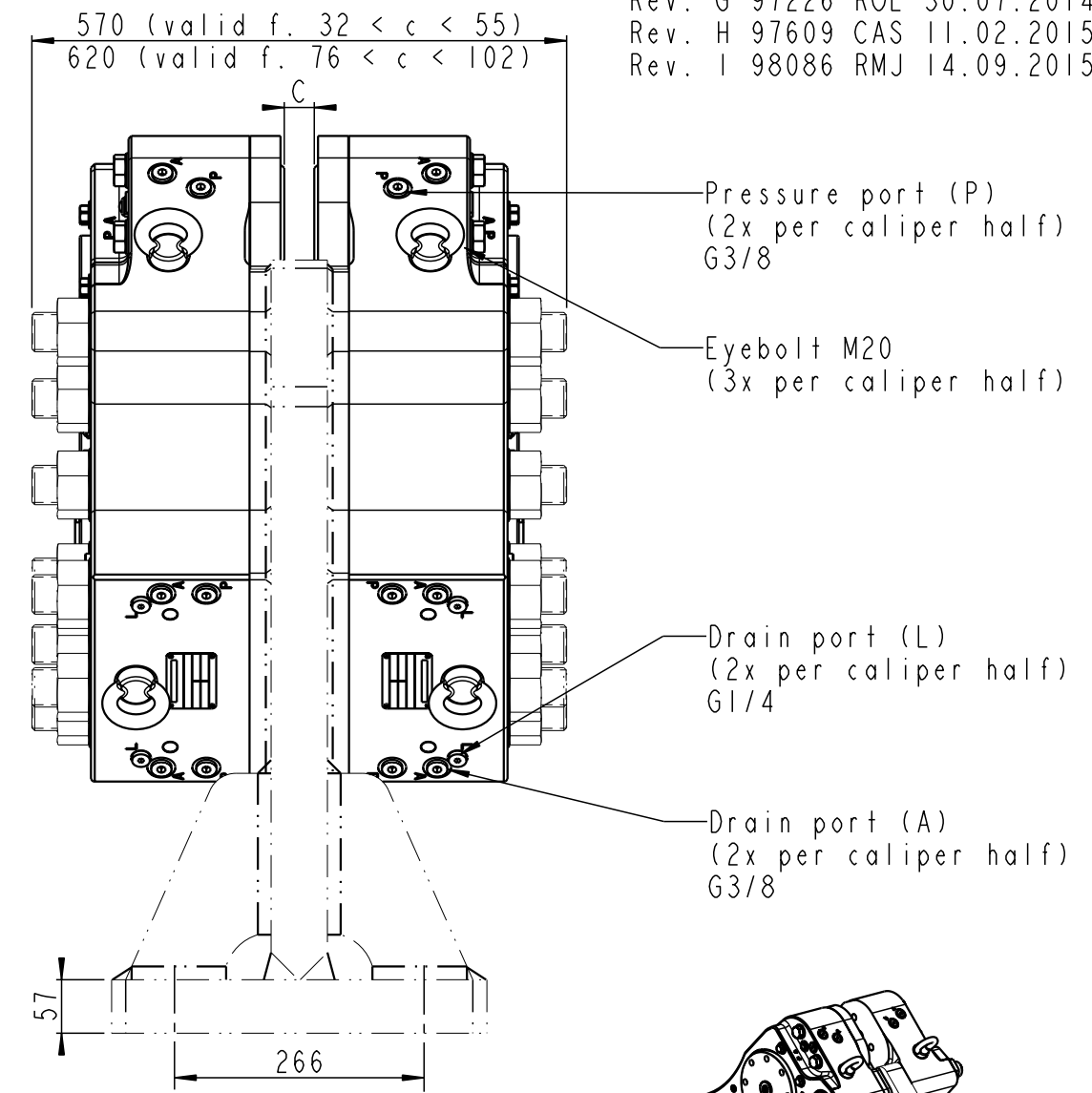
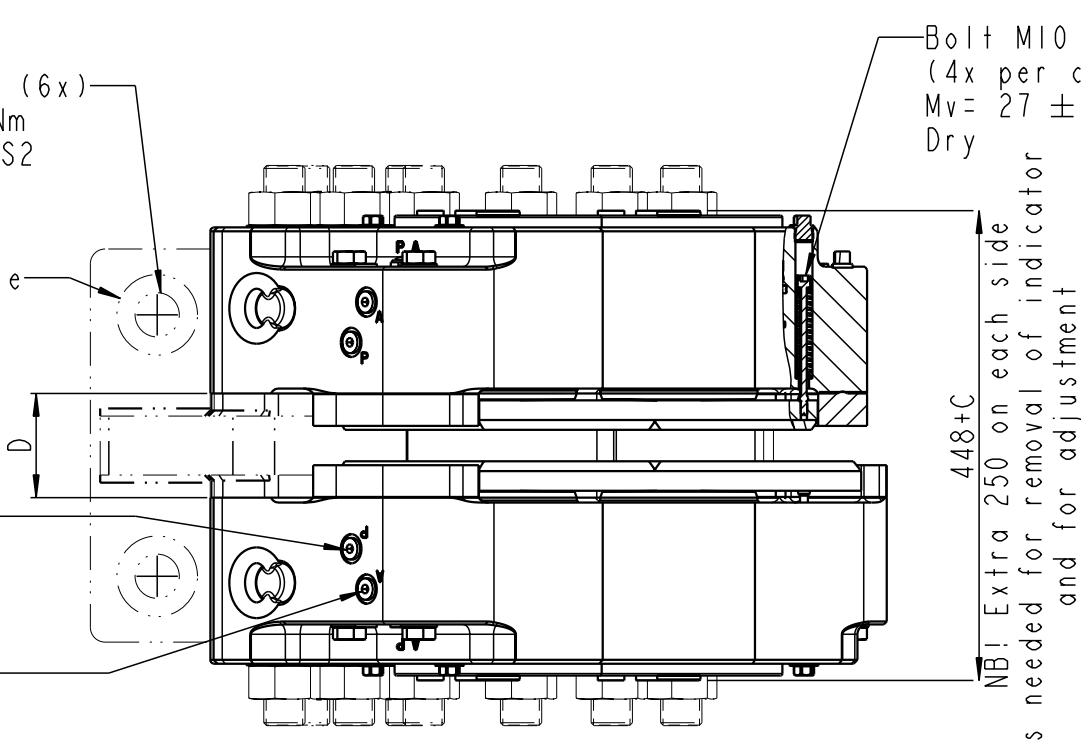
SVENDBORG BRAKES, DENMARK
 CVR / VAT: 13256438
 WWW.SVENDBORG-BRAKES.COM

 THIS DRAWING/DRAWING REMAINS THE PROPERTY OF SVENDBORG BRAKES AND MUST NOT BE COPIED WITHOUT OUR PRIOR WRITTEN PERMISSION. AND THE CONTENTS THEREOF MUST NOT BE DISCLOSED TO ANY THIRD PARTY. NOR BE USED FOR ANY UNAUTHORIZED PURPOSE. LEGAL ACTION WILL BE TAKEN IN THE EVENT OF CONTRAVENTION.

- Bolt M20 Grade 10.9
(4x per caliper half)
Mv= 510 ± 30 Nm
Dry
- Pressure port (P)
(2x per caliper half)
G3/8
- Drain port (A)
(2x per caliper half)
G3/8
- Bolt M8 Grade A4
(2x per caliper half)
Mv= 17 +/- 1.2 Nm
Dry
- Cover M27
(4x per caliper half)
Mv= 20 ± 1 Nm
- Cover M65
Mv= 20 ± 1 Nm
- Drain port (L)
(2x per caliper half)
G1/4
- Bolt M42 Grade 10.9 (8x)
Mv= 3500 ± 150 Nm
With MoS2
Countersunk Ø82x6



- Bolt M42 Grade 8.8 (6x)
Mv= 2650 Nm ± 150Nm
Lubricated with MoS2
- Ø82x2mm Counterbore
- Pressure port (P)
(On both sides of each caliper half) G3/8
- Drain port (A)
(On both sides of each caliper half) G3/8



Distance from center of disc (R = Radius of disc)
 A= 0.707 (R-103.5) - 121
 B= 0.707 (R-103.5) + 653
 C = Brake disc thickness
 D = Mounting surface width: C+76
 Weight: approx 780 kg (incl. brake pads excl. bolts and bracket)
 Mounting data, see drawing 490-5400
 (A)+(L): Drain ports, must not be pressurized
 (P) : Pressure ports.

TOLERANCES FOR INTERNAL AND EXTERNAL RADII, ANGLES AND CHAMFERS ACCORDING TO: ISO 2768 - mK		ALL DIMENSIONS IN mm	DRAWING STATUS
DRAWN BY CKR		BSFH D500-XXX-X-102	Released
DATE 27-05-2013			REVISION I
DRAWING NO. 490-5403		SCALE 13:100 (A3)	
		SHEET 1 OF 1 SHEETS	