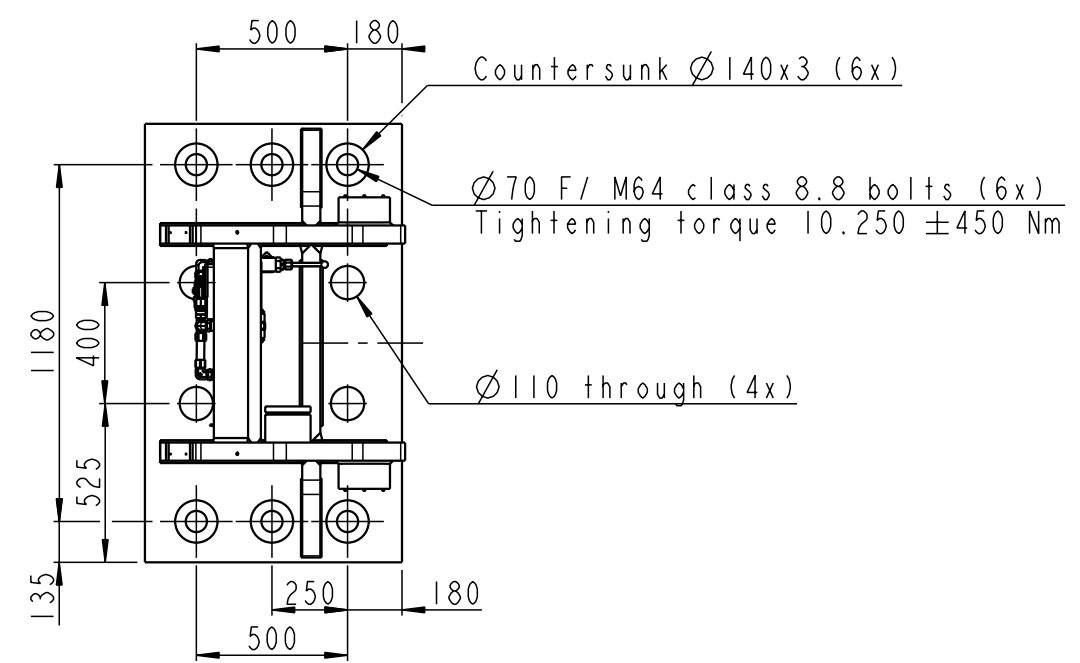
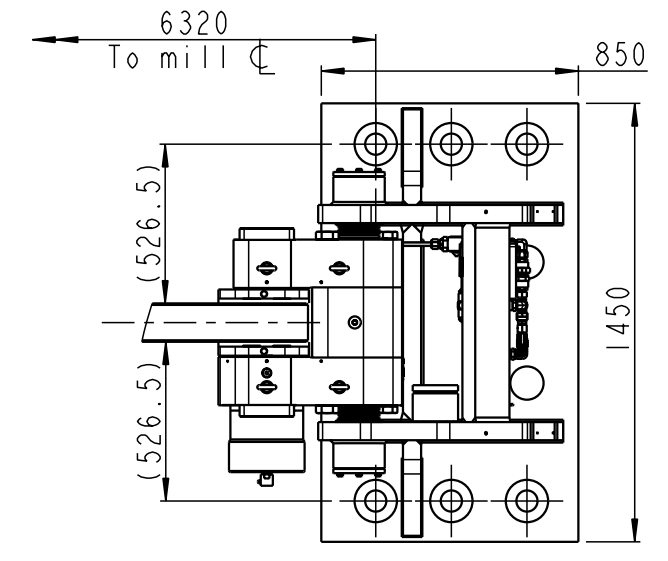
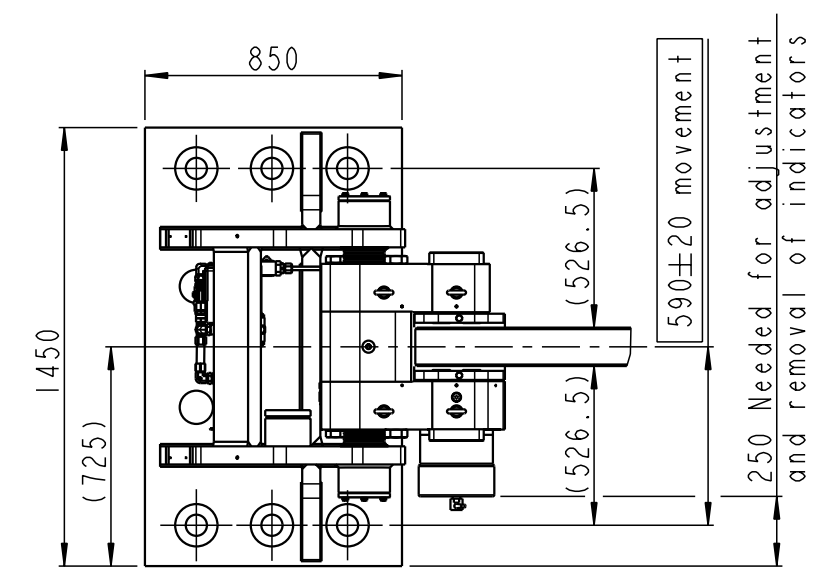
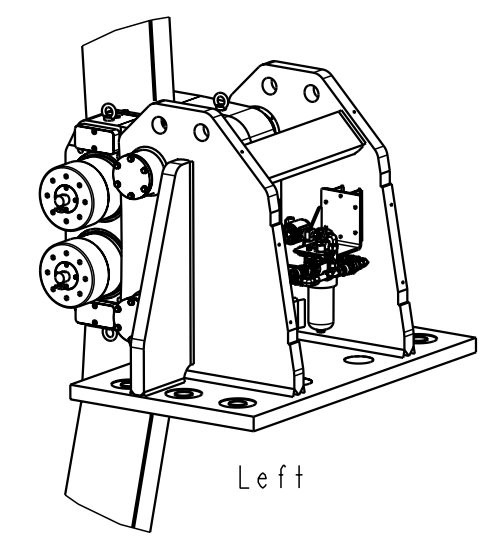
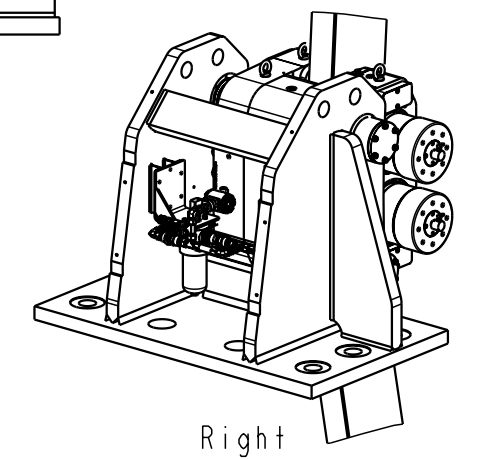
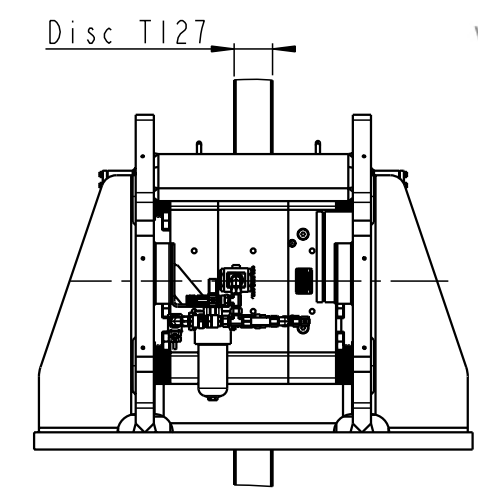
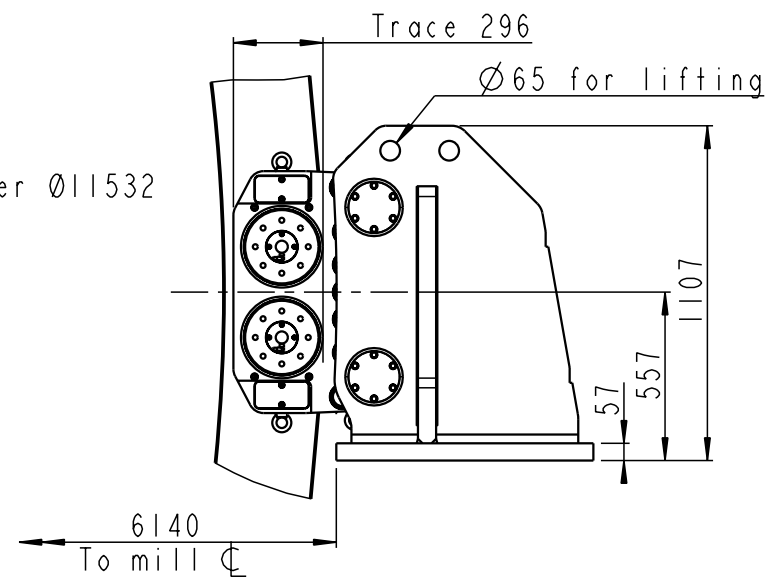
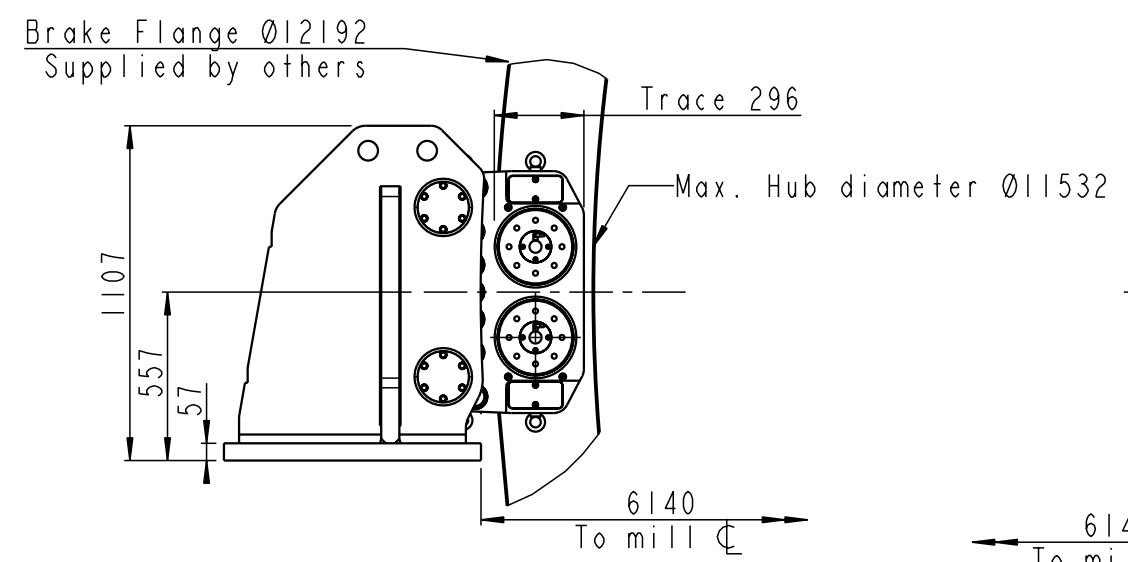


SVENDBORG BRAKES, DENMARK  
 CVR / VAT: 13256438  
 WWW.SVENDBORG-BRAKES.COM

THIS DRAWING/DRAWING REMAINS THE PROPERTY OF SVENDBORG BRAKES AND MUST NOT BE COPIED WITHOUT OUR PRIOR WRITTEN PERMISSION. AND THE CONTENTS THEREOF MUST NOT BE DISCLOSED TO ANY THIRD PARTY. NOR BE USED FOR ANY UNAUTHORIZED PURPOSE. LEGAL ACTION WILL BE TAKEN IN THE EVENT OF CONTRAVENTION.

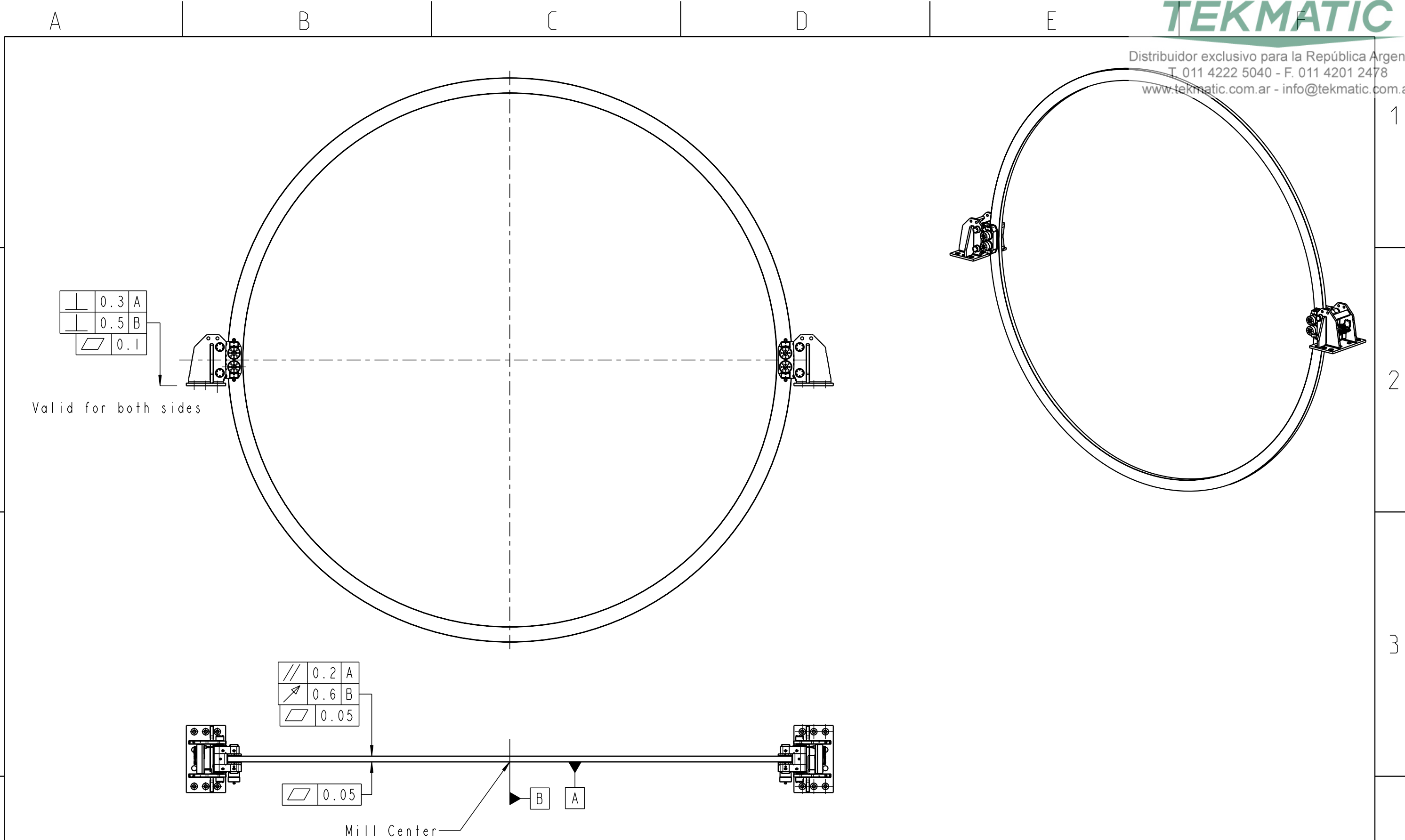


Weight: approx. 2 x 3500 kg  
 incl. 2 brackets, 2 brakes, excl. brake flange, hydraulics, pipes etc.

TOLERANCES FOR INTERNAL AND EXTERNAL RADII, ANGLES AND CHAMFERS ACCORDING TO: ISO 2768 - mK		ALL DIMENSIONS IN mm	DRAWING STATUS
DRAWN BY NCH		DESCRIPTION MILL BRAKE SYSTEM IX BSFA1000 / Ø12192 x127MM	<b>Released</b>
DATE 25.10.2015			
		DRAWING NO.	SCALE 1:25 (A3)
		490-6037	SHEET 1 OF 2 SHEETS

SVENDBORG BRAKES, DENMARK  
 CVR / VAT: 13256438  
 WWW.SVENDBORG-BRAKES.COM

THIS DRAWING/DRAWING REMAINS THE PROPERTY OF SVENDBORG BRAKES AND MUST NOT BE COPIED WITHOUT OUR PRIOR WRITTEN PERMISSION. AND THE CONTENTS THEREOF MUST NOT BE DISCLOSED TO ANY THIRD PARTY. NOR BE USED FOR ANY UNAUTHORIZED PURPOSE. LEGAL ACTION WILL BE TAKEN IN THE EVENT OF CONTRAVENTION.



TOLERANCES FOR INTERNAL AND EXTERNAL RADII, ANGLES AND CHAMFERS ACCORDING TO: ISO 2768 - mK		ALL DIMENSIONS IN mm	DRAWING STATUS
DRAWN BY NCH	DATE 25.10.2015	DESCRIPTION MILL BRAKE SYSTEM 1X BSFA1000 / Ø12192 x127MM	<b>Released</b>
DRAWING NO. 490-6037		SCALE 13:1000 (A3)	
		SHEET 2 OF 2 SHEETS	